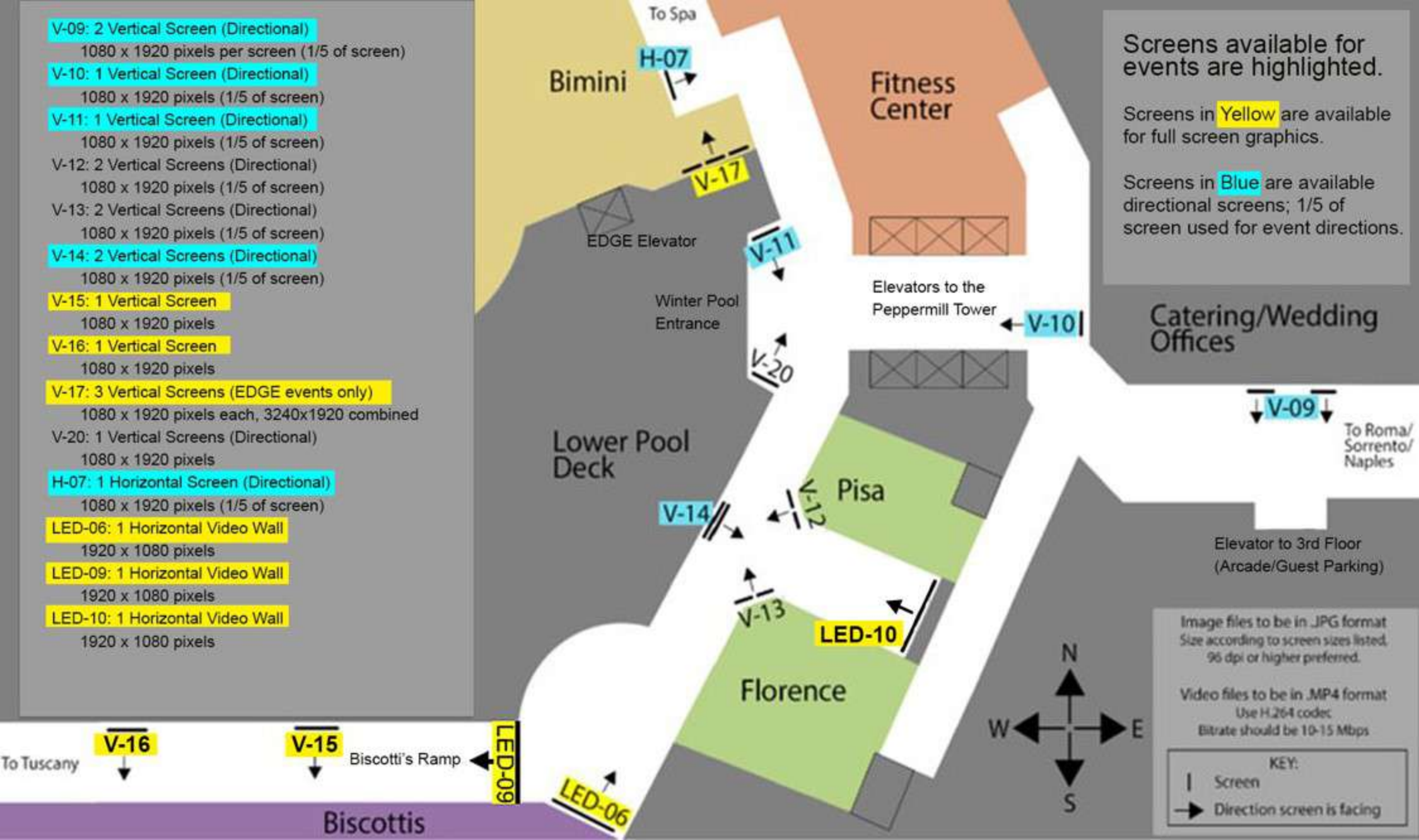


- V-09: 2 Vertical Screen (Directional)**
1080 x 1920 pixels per screen (1/5 of screen)
- V-10: 1 Vertical Screen (Directional)**
1080 x 1920 pixels (1/5 of screen)
- V-11: 1 Vertical Screen (Directional)**
1080 x 1920 pixels (1/5 of screen)
- V-12: 2 Vertical Screens (Directional)**
1080 x 1920 pixels (1/5 of screen)
- V-13: 2 Vertical Screens (Directional)**
1080 x 1920 pixels (1/5 of screen)
- V-14: 2 Vertical Screens (Directional)**
1080 x 1920 pixels (1/5 of screen)
- V-15: 1 Vertical Screen**
1080 x 1920 pixels
- V-16: 1 Vertical Screen**
1080 x 1920 pixels
- V-17: 3 Vertical Screens (EDGE events only)**
1080 x 1920 pixels each, 3240x1920 combined
- V-20: 1 Vertical Screens (Directional)**
1080 x 1920 pixels
- H-07: 1 Horizontal Screen (Directional)**
1080 x 1920 pixels (1/5 of screen)
- LED-06: 1 Horizontal Video Wall**
1920 x 1080 pixels
- LED-09: 1 Horizontal Video Wall**
1920 x 1080 pixels
- LED-10: 1 Horizontal Video Wall**
1920 x 1080 pixels

Screens available for events are highlighted.

Screens in **Yellow** are available for full screen graphics.

Screens in **Blue** are available directional screens; 1/5 of screen used for event directions.



Catering/Wedding Offices

V-09

To Roma/
Sorrento/
Naples

Elevator to 3rd Floor
(Arcade/Guest Parking)

Image files to be in .JPG format
Size according to screen sizes listed,
96 dpi or higher preferred.

Video files to be in .MP4 format
Use H.264 codec
Bitrate should be 10-15 Mbps

KEY:

- | Screen
- Direction screen is facing



To Tuscany

V-16

V-15

Biscotti's Ramp

LED-09

LED-06

Biscottis

Lower Pool Deck

V-14

LED-10

V-13

Pisa

V-12

V-20

Winter Pool Entrance

EDGE Elevator

V-11

V-17

Bimini

H-07

Fitness Center

Elevators to the
Peppermill Tower

V-10

To Spa

- V-22: 1 Vertical Screen (Directional)
1080 x 1920 pixels (1/5 of screen)
- V-23: 1 Vertical Screen (Directional)
1080 x 1920 pixels (1/5 of screen)
- V-25: 1 Vertical Screen
1080 x 1920 pixels
- V-26: 1 Vertical Screen
1080 x 1920 Pixels
- V-28: 3 Vertical Screens
1080 x 1920 Pixels Each
3240 x 1920 Pixels Across
- V-29: 3 Vertical Screens
1080 x 1920 Pixels Each
3240 x 1920 Pixels Across
- V-30: 3 Vertical Screens
1080 x 1920 Pixels Each
- H-14: 1 Horizontal Screen (Directional)
1920 x 1080 Pixels (1/5 of Screen)

- LED-3: 1 Horizontal Screen - 1920 x 1080 Pixels
 - LED-4: 1 Horizontal Screen - 1920 x 1080 Pixels
 - LED-5: 1 Horizontal Screen - 1920 x 1080 Pixels
 - LED-7: 1 Horizontal Screen - 1920 x 1080 Pixels (Does not show during live band)
 - PANO-02: 1 Panoramic Screen - 1920 x 480 Pixels
 - PANO-03: 1 Panoramic Screen - 1920 x 480 Pixels
- *Video content with Audio can be played in Tuscany Foyer on any one highlighted LED or PANO screen listed above.
- Column 1 & Column 2: 4 Vertical Screens on Each Column
540 x 2160 Pixels Each. 8 Total
 - Portable Kiosks: 55" Vertical Screens - 1080 x 1920 Pixels

Screens available for events are highlighted.

Screens in yellow are available for full screen graphics

Screens in blue are available directional screens. 1/5 of screen usable for directions

Summer Pool Entrance

Tuscany Tower

LED-7 Terrace Lounge

Biscotti's

Business Center

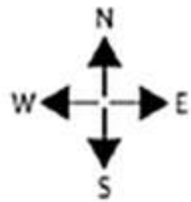
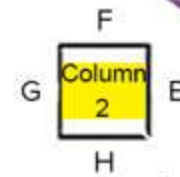
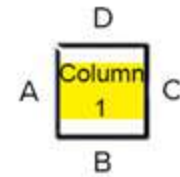
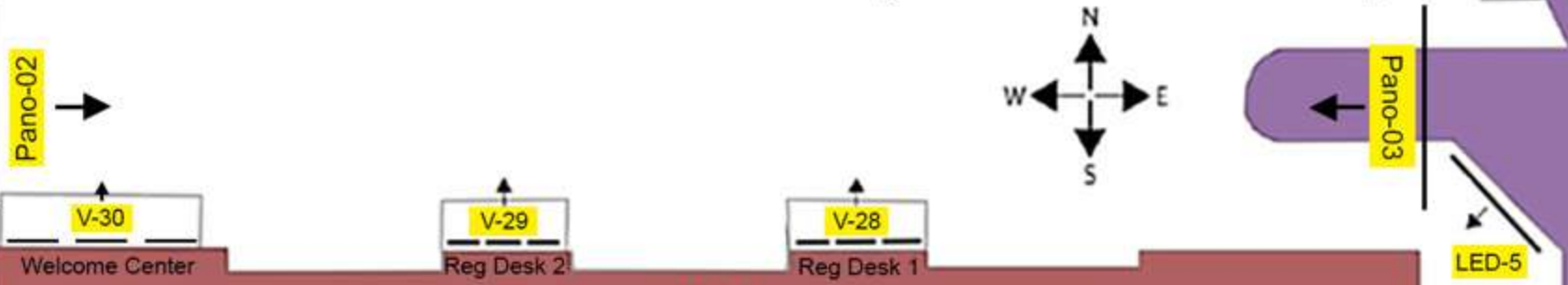


Image files to be in .jpg format
Size according to screen sizes listed, 96 dpi or higher preferred.

Video files to be in .mp4 format
Use H.264 codec
Bitrate should be 10-15 Mbps

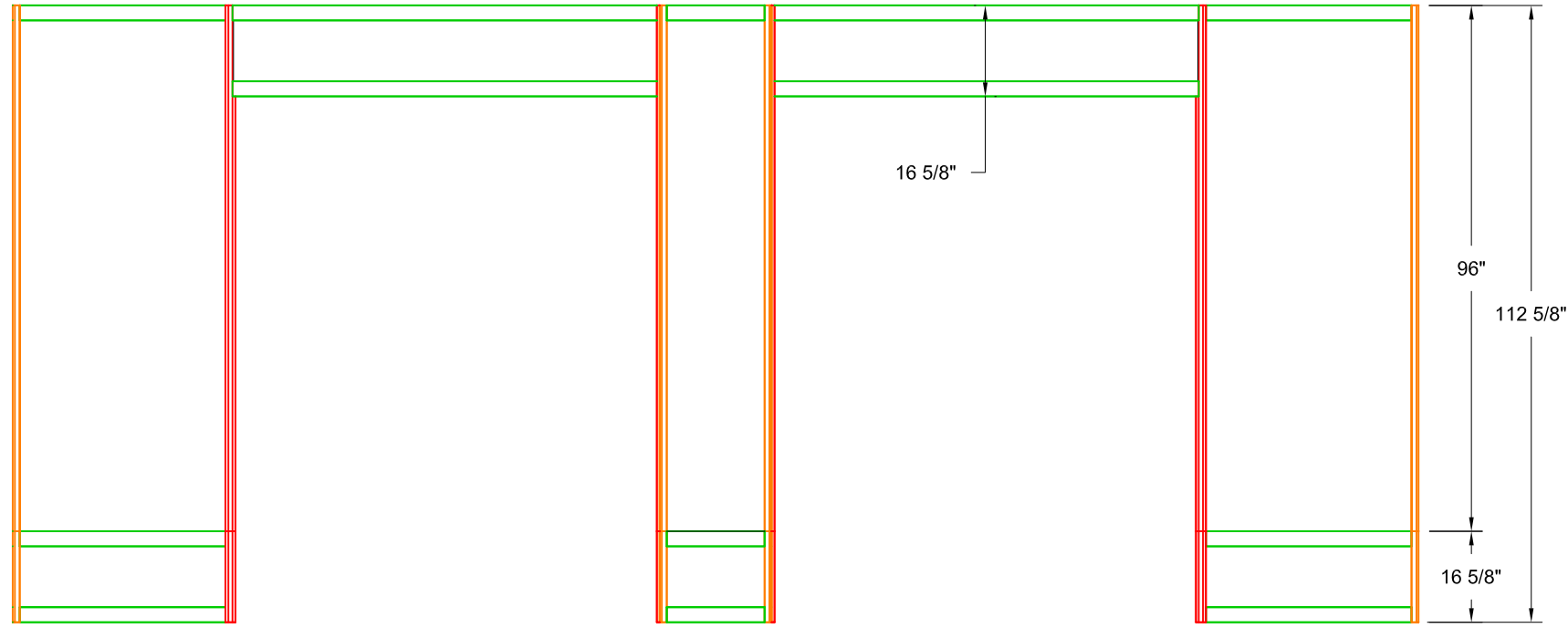


Tuscany Ballroom

Welcome Center

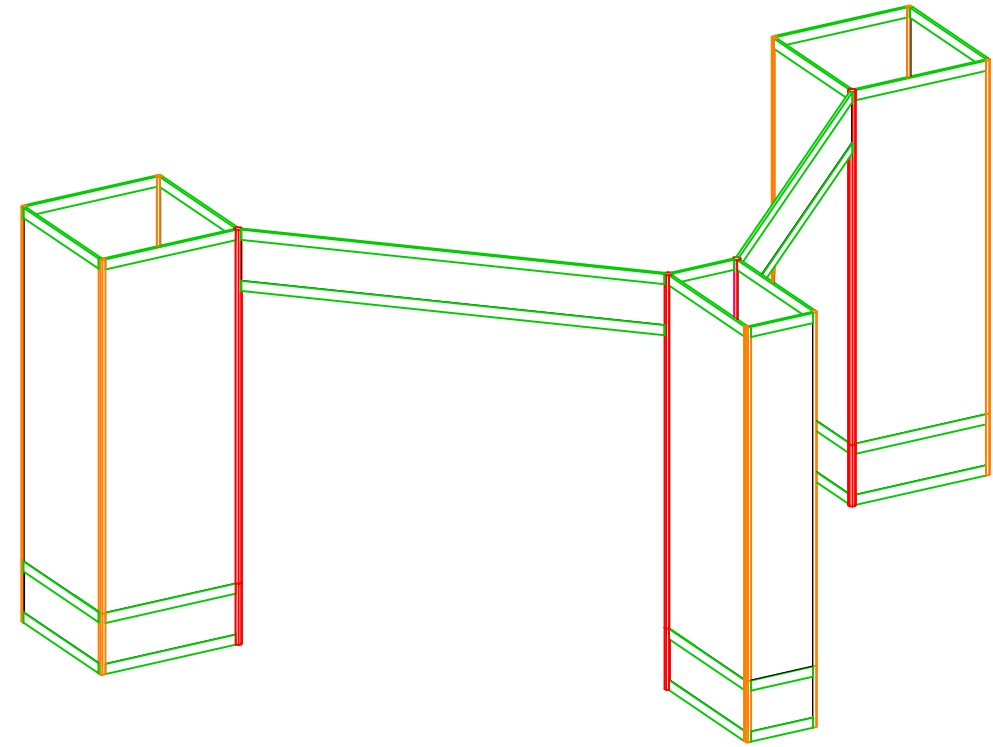
Reg Desk 2

Reg Desk 1



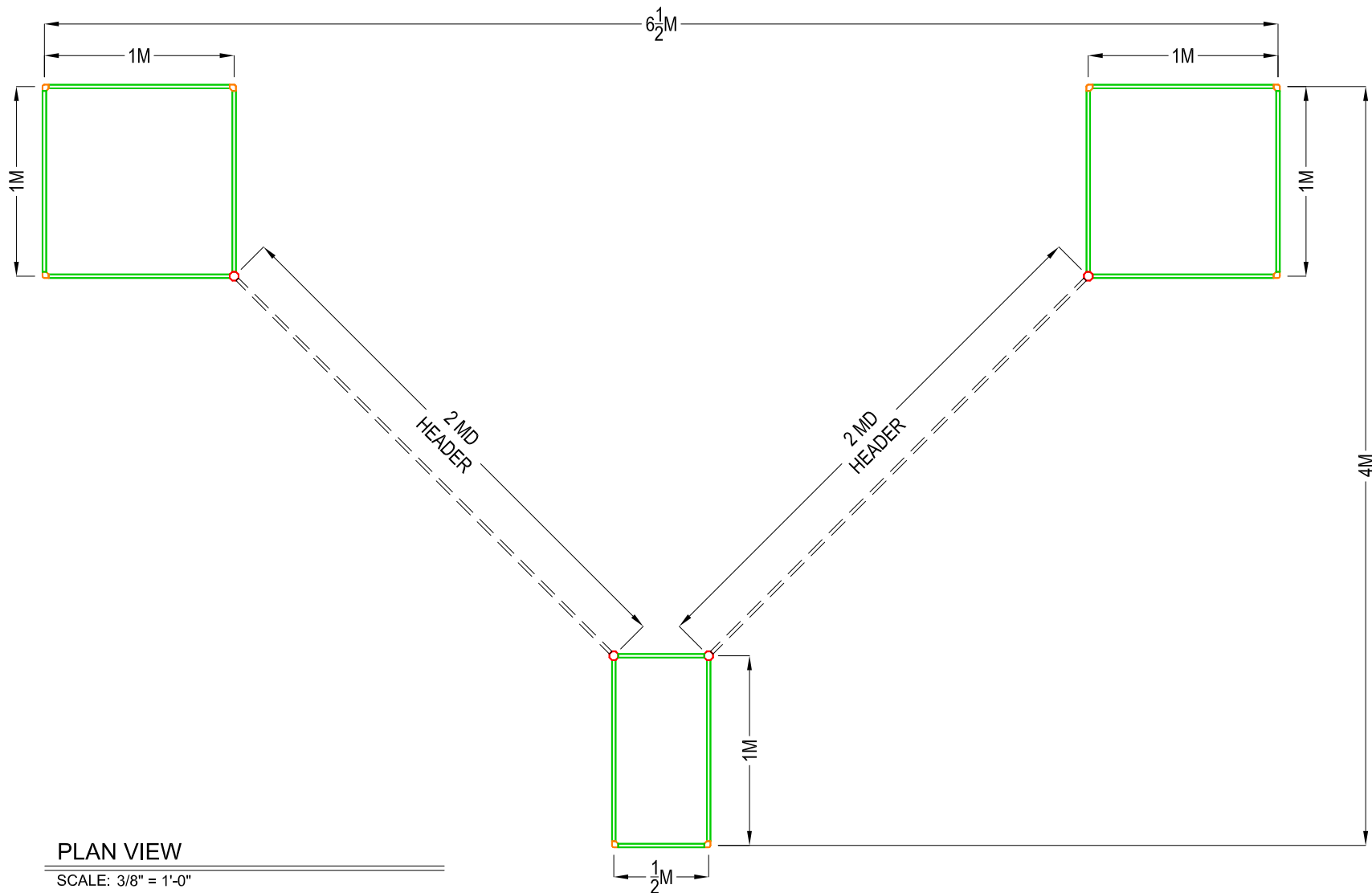
ELEVATION VIEW

SCALE: 3/8" = 1'-0"



PERSPECTIVE VIEW

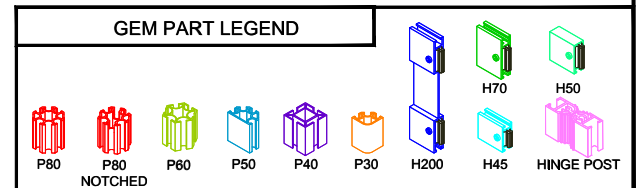
SCALE: NTS



PLAN VIEW

SCALE: 3/8" = 1'-0"

Metal:
Panel:
Ctops:
Notes:



DETAILING REVISION		DESCRIPTION	
No.	DATE	BY	
DRAWING FILE LOCATION:			

SHEET #:	1	OF	
CONTACT INFORMATION			
AE:			
AM:			
PI:			

TITLE:	AS NOTED
SCALE:	
DATE:	
DRAWN BY:	
DWG #:	

SHOW DATE:	
PROJ. #:	
BOOTH NO.:	
BOOTH SIZE:	
SHIP DATE:	

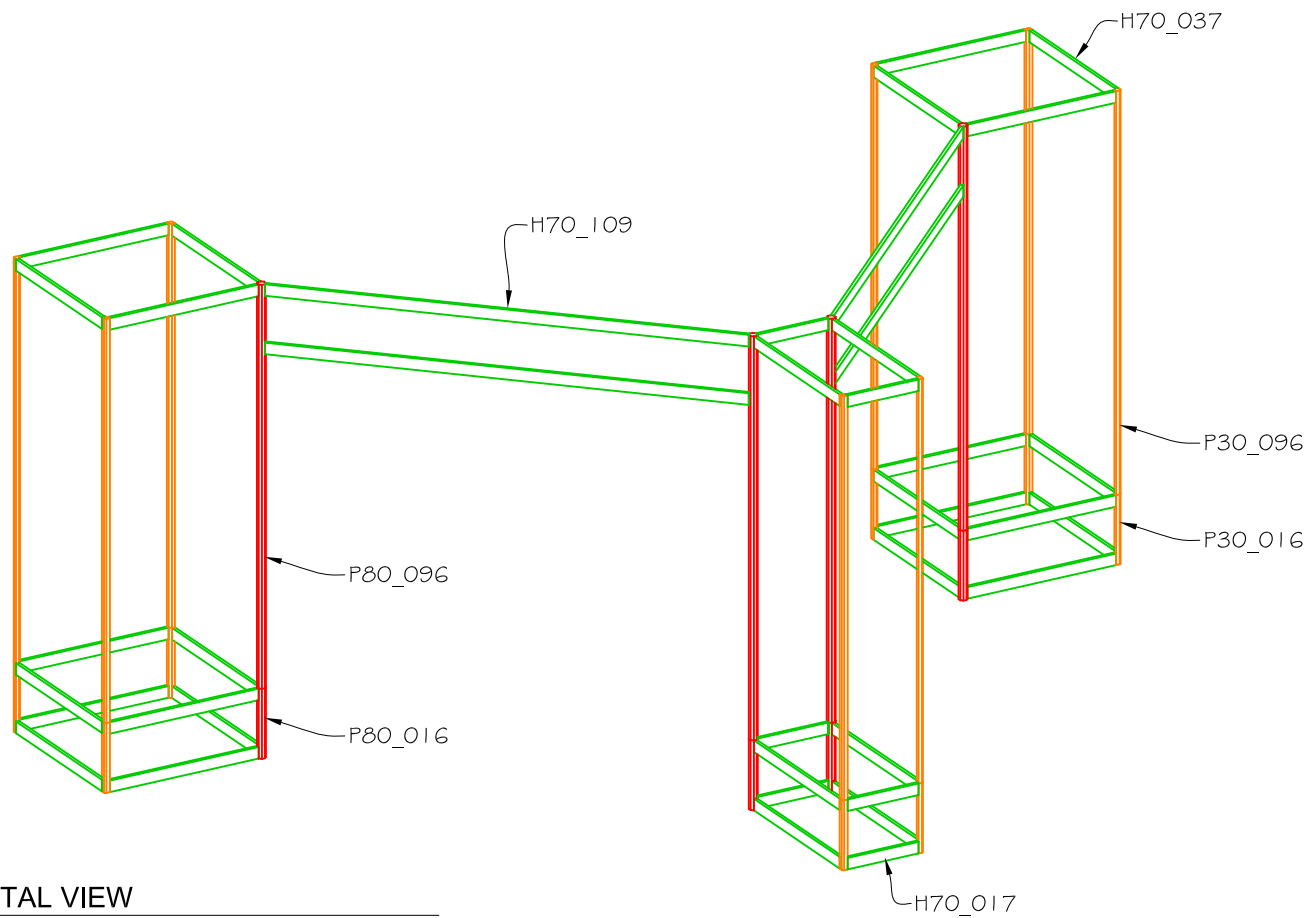
CLIENT: _____

SHOW: _____

FACILITY: _____

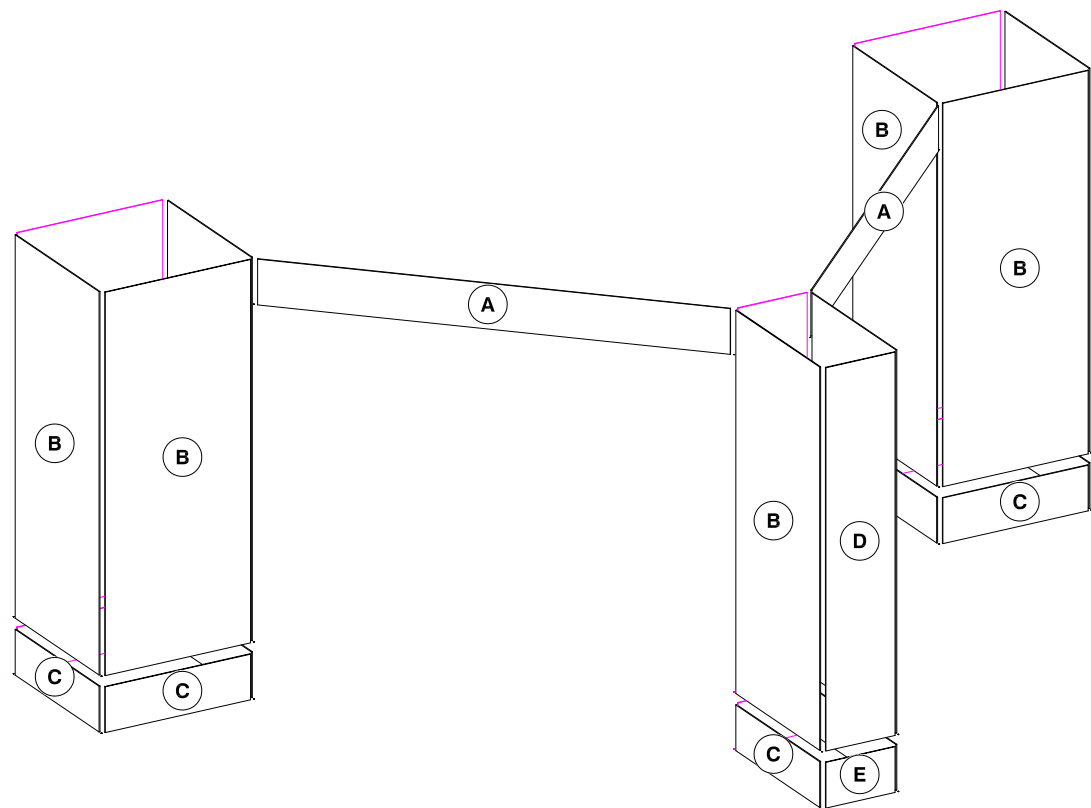
CITY/STATE: _____

FILE: _____



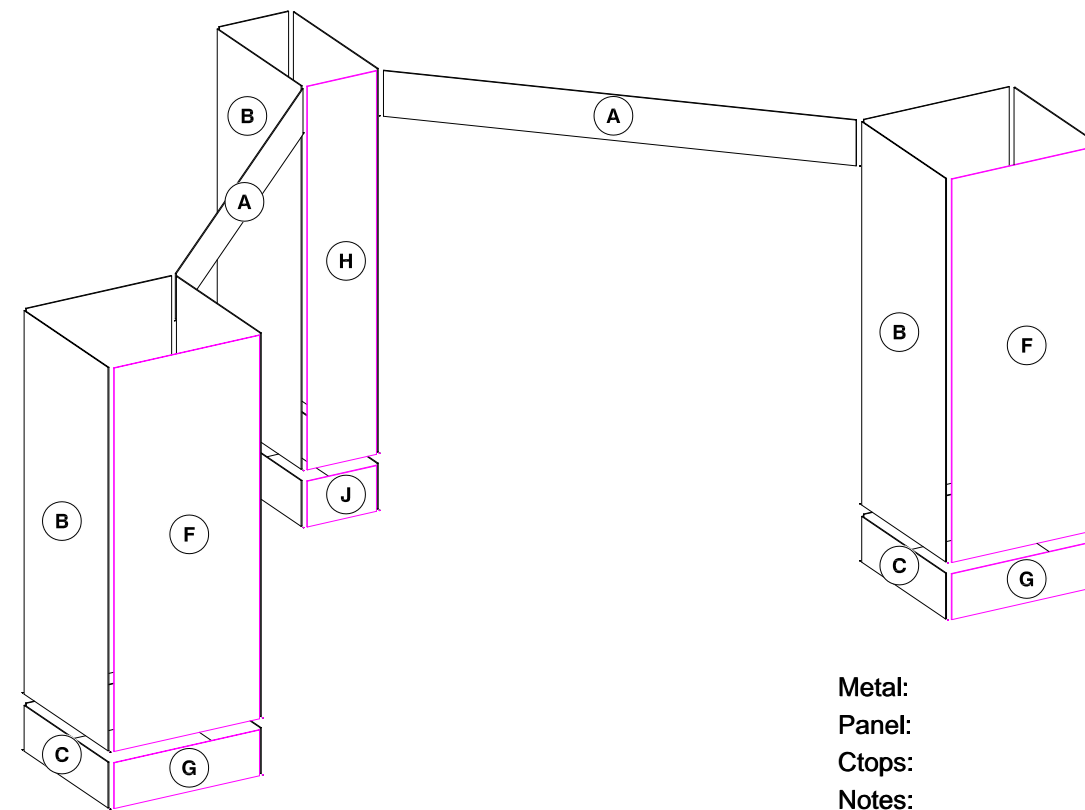
METAL VIEW

SCALE: NTS



FRONT PANEL VIEW

SCALE: NTS



REAR PANEL VIEW

SCALE: NTS

GEM BILL OF MATERIALS

QTY	CATEGORY	PART NUMBER	DESCRIPTION	LENGTH
6	A-MTL	H70_017	1/2M H70	17 7/8"
30	A-MTL	H70_037	1M H70	37 9/16"
4	A-MTL	H70_109	2MD H70	109 9/16"
8	A-MTL	P30_016	16.625" P30	16 5/8"
8	A-MTL	P30_096	96" P30	96"
4	A-MTL	P80_016	16.625" P80	16 5/8"
4	A-MTL	P80_096	96" P80	96"
8	B-ACC	P30_IPC	P30 INTERNAL CONNECTOR	
4	B-ACC	P80_IPC	P80 INTERNAL CONNECTOR	
24	B-ACC	JOINER PLATE	JOINER PLATE	

GRAPHIC PANEL

QTY	I.D.	PART NUMBER	DESCRIPTION	LENGTH	HEIGHT
2	A	GPAN_IV	2MD X 16.625" INSERT	110 1/8"	12"
8	B	GPAN_ECS	1M X 96" INSERT	38 1/8"	94 1/8"
8	C	GPAN_EV	1M X 16.625" INSERT	38 1/8"	12"
1	D	GPAN_FCS	0.5M X 96" INSERT	18 7/16"	94 1/8"
1	E	GPAN_FV	0.5M X 16.625" INSERT	18 7/16"	12"

NON GRAPHIC PANEL

QTY	I.D.	PART NUMBER	DESCRIPTION	LENGTH	HEIGHT
2	F	PAN_ECS	1M X 96" INSERT	38 1/8"	94 1/8"
2	G	PAN_EV	1M X 16.625" INSERT	38 1/8"	12"
1	H	PAN_FCS	0.5M X 96" INSERT	18 7/16"	94 1/8"
1	J	PAN_FV	0.5M X 16.625" INSERT	18 7/16"	12"

Metal:
Panel:
Ctops:
Notes:

GEM PART LEGEND



DETAILING REVISION		DESCRIPTION	
No.	DATE	BY	
DRAWING FILE LOCATION: Copyright © 2023 by GES Global Experience Specialist. All rights reserved. No part of this document may be reproduced, stored in a retrieval system, or transmitted in any form or by any means—electronic, mechanical, photocopying, recording, or by any information storage and retrieval system—without the prior written consent of GES Global Experience Specialist.			

SHEET #:	2	OF	
CONTACT INFORMATION			
AE:		AM:	
PI:			

TITLE:	AS NOTED
SCALE:	
DATE:	
DRAWN BY:	
DWG #:	

SHOW DATE:	
PROJ. #:	
BOOTH NO.:	
BOOTH SIZE:	
SHIP DATE:	

CLIENT:	
SHOW:	
FACILITY:	
CITY/STATE:	
FILE:	

