



ADVANCE RECYCLING SOLUTIONS LLP



Dry/Hay Fodder



Paper/MSW Waste



PET Waste



Metal Waste





ADVANCE RECYCLING SOLUTIONS LLP

CERTIFICATES



MSME

MICRO, SMALL & MEDIUM ENTERPRISES
सूक्ष्म, लघु एवं मध्यम उद्यम

OUR STRENGTH • हमारी शक्ति

Ministry of MSME, Govt. of India



ISO 14001 : 2015
ENVIRONMENT MANAGEMENT SYSTEM



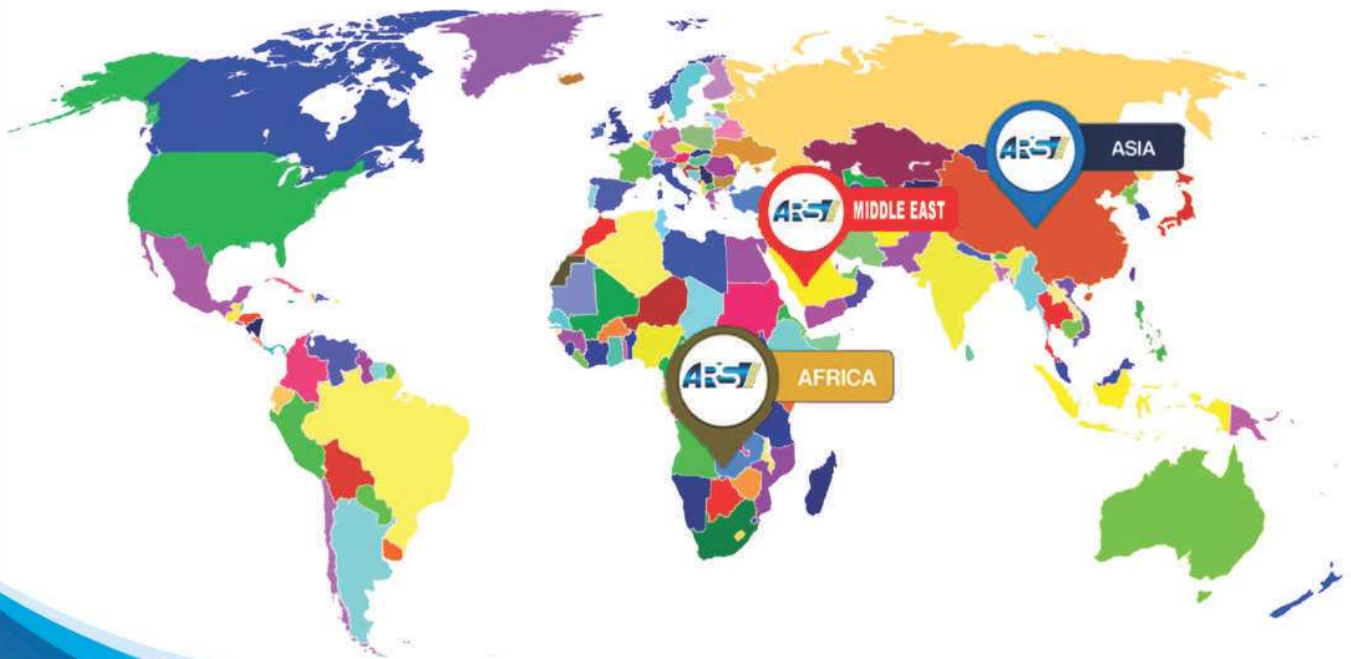
MATERIAL RECYCLING ASSOCIATION OF INDIA

Voice of the Indian Recycling Industry



Bureau of Middle East Recycling

OUR PRESENCE



ABOUT US...

“**Advance Recycling Solutions LLP (ARS)**” are pioneer in design and manufacturing of world class quality Hydraulic Scrap Balers, Horizontal Shear, Shredder, Briquetting Machines, Alligator Shear Machines and other Scrap Handling Equipments for Ferrous & Non-Ferrous Scrap.

“**ARS**” is expanding rapidly & gaining prominence under guidance of **Mr. Bharat Sharma** Ex-Founder Director of Advance Hydrau-Tech Pvt. Ltd. He has been Trend Setter for Scrap Recycling Machines for more than 40 years. **Mrs. Pooja Sharma** and **Mr. Rohit Gidwani** are managing the company affairs.

“**ARS**” Vision is to supply European Standard Machines & Scrap Handling Equipment's with AMC support for Indian & International Market and to become a Preferred Choice for Indian Scrap Processing Industry.

Our Mission is to supply – Strong Sturdy, PLC Controlled, Easy Maintainable, Operation Friendly, Reliable Machines as per European Standard but specially customized as per Indian working environment & scrap types.

We provide machines for scrap processing of Ferrous & Non-Ferrous Metal, OCC & De-Watering, Pet & Plastic, Hay & Fodder, M.S.W. & Bio-Mass, E-Waste & Car Scrap, Cranes & Grabs etc.

Scrap market is changing continuously and market is demanding a shift from old type of machines & labour - intensive systems to modern automation. The Indian scrap & waste recycling market has a genuine requirement for reliable high productivity machines. And in absence of such manufacturers Indians are looking abroad for Importing machines.

ARS took it as a challenge and have upgraded existing machines and further, have Launched NEW MEGA series.

MEGA Series is especially for high production units with a range of machines with special features, designed with stronger body, better life, better sensing and user-friendly operations for handling tough scrap and giving high productions.

ARS has the experience and capability to manufactures such high quality, high productive machines and service them.



Double Action Manual Door

ARS-005

BALE SIZE	16"x12"x 6-10"(HXWXL)
BALE WEIGHT	30-50 KG (in MS) "
ELECTRIC MOTOR	15 H.P
OPERATION	Manual
MACHINE WEIGHT	3.5 Tons
BALEABLE MATERIAL	Ferrous & Non Ferrous

Note - ** Production capacity with Automation and Depending on density of in-feed material.



Double Action Auto Door

ARS-006

BALE SIZE	12"x24"x6-10 (HXWXV)
BALE WEIGHT	"15-25Kgs (IN AL) 60Kgs (IN MS)"
ELECTRIC MOTOR	30H.P
OPERATION	Manual/Automatic
MACHINE WEIGHT	5.5 Tons (Approx)
BALEABLE MATERIAL	MS / Aluminium

Note - ** Production capacity with Automation and Depending on density of in-feed material.



Triple Action Baler

Ferrous & Non Ferrous Scrap



TECHNICAL SPECIFICATIONS OF DIFFERENT TRIPLE COMPRESSION MACHINE MODELS (STD).

MODEL	10"x10"	12"x12"	14"x14"	15"x15"	20" x 20"
BALING CHAMBER	20"x30"x50"(HxWxL)	24"x30"x57"(HxWxL)	30"x38"x74"(HxWxL)	30"x38"x74"(HxWxL)	40"x48"x84"(HXWXL)
BALE SIZE	10"x10"x8-12"(HXWXL)	12"x12"x5-8"(HXWXL)	14"(H)x14"(L)xW-V	15"(H)x15"(L)x(W)-V	20"x20"x10-20"(HXWXL)
BALE WEIGHT	20-25 KGS (IN AL) 50-60 KGS (IN MS)	20-30KGS (IN AL) 50-80KGS (IN MS)	55-85 KGS (IN MS)	30-45KGS (IN AL) 100-120KGS (IN MS)	250 – 350 KGS (STEEL SCRAP)
ELECTRIC MOTOR	30 H.P	30 H.P	40 H.P	40 H.P	2 X 40 H.P
MACHINE WEIGHT	6.5 TO 7 TONS	8.5 TONS	11.5 -12.5 TONS	12-13 TONS	22-23 TONS
OPERATION	Manual/Automatic	Manual/Automatic	Manual/Automatic	Manual/Automatic	Manual/Automatic

Note - ** Production capacity with Automation and Depending on density of in-feed material.

**We Also Provide Special Balers (8"X8", 9"x9", 10"x 10",12"x12", 13"x13",14"x 14", 18"x 18", 20"X20" & 24"X24")
Special Models with Additional Features**



Hydraulics Nibbler Machine

(To remove Iron content from Aluminium attachments)

FUNCTION	HYDRAULIC
BLADE SHAPE	"V"
NUMBER OF STROKE	14-16 MINUTES
ELECTRIC MOTOR	15 H.P
OPERATION	Automatic
BLADE OPENING	4"



Alligator Shear Machine



MODEL	(ARS-500)
CUTTING FORCE	2000 Kn (LEAVERAGED)
LENGTH OF BLADE BLOCK	600 MM + 150 MM
BLADE OPENING	85 - 200 MM
PRE COMPRESSION	JAW 150 MM SERRATED
CUTTING SIZE	Φ 50 MM
NUMBER OF STROKE	13 - 14 / MINUTE
ELECTRIC MOTOR	15 H.P.
WEIGHT OF MACHINE	3 - 3.5 TON (APPROX)



Vertical Baling Machine

(Single Cylinder)

(Double Cylinder)



MODEL	VSC
BALE SIZE	24" x 36" x V"
BALE WEIGHT	40 - 80 Kgs (IN OCC)
ELECTRIC MOTOR	10 H.P 1440 R.P.M.
OPERATION	Manual/Automatic
MACHINE WEIGHT	3 Tons approx
BALEABLE MATERIAL	MSW, PAPER, PLASTIC, FABRIC

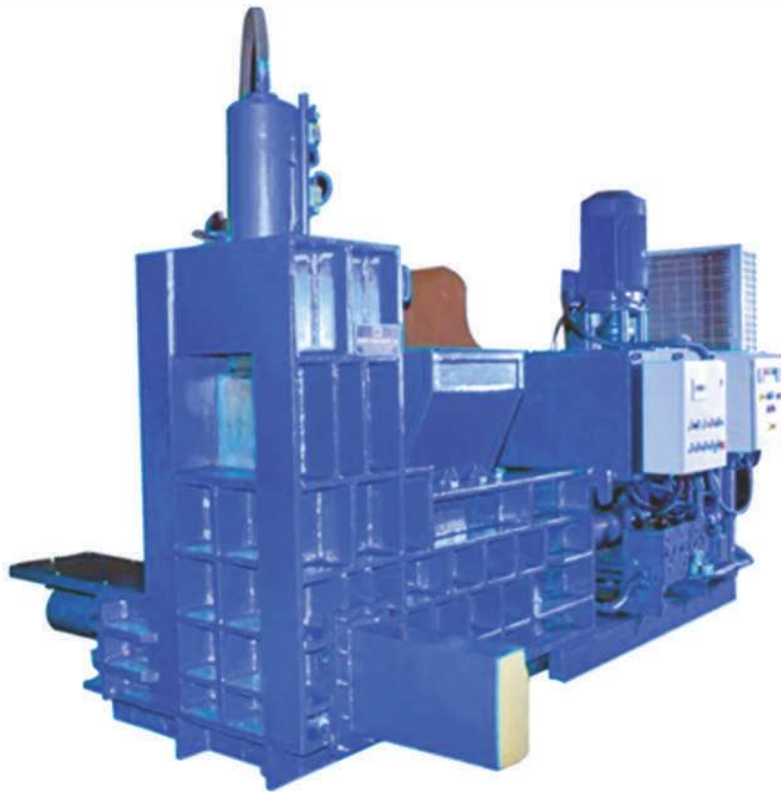
Note - ** Production capacity with Automation and Depending on density of in-feed material.

MODEL	VDC
BALE SIZE	30" x 48" x V"
BALE WEIGHT	100 - 250 Kgs (IN OCC)
ELECTRIC MOTOR	30 H.P 1440 R.P.M.
OPERATION	Manual/Automatic
MACHINE WEIGHT	5.5 TONS Approx
BALEABLE MATERIAL	MSW, PAPER, PLASTIC, FABRIC

Note - ** Production capacity with Automation and Depending on density of in-feed material.



Complete Feed / Dry Fodder Baling Machine

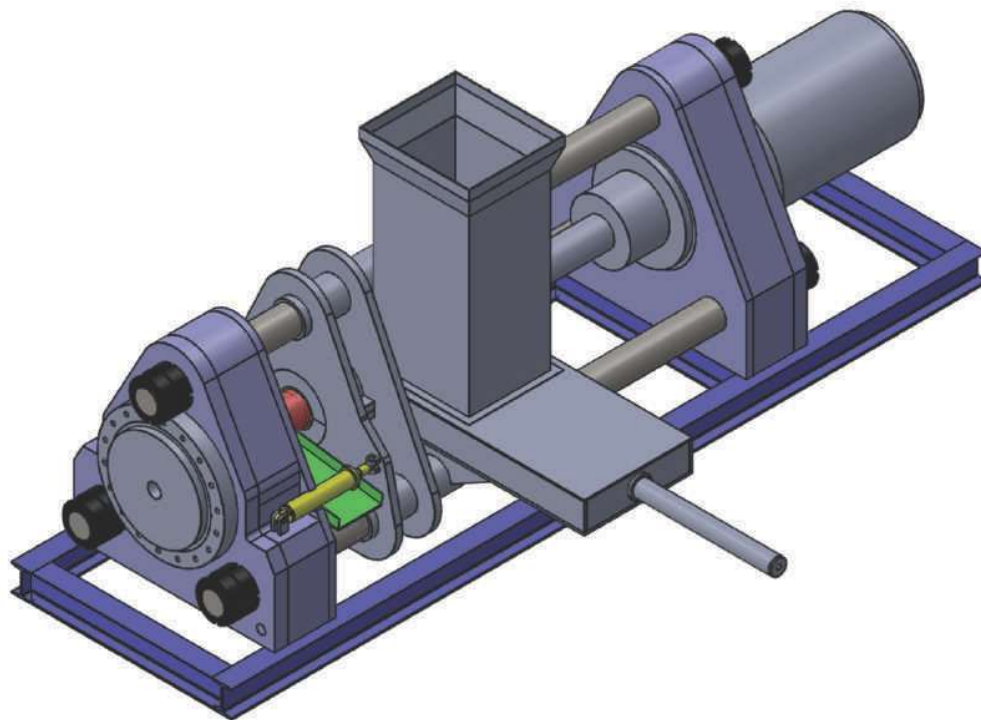


BALE SIZE	12" x 16" x 5"	12" x 24" x 6"	12" x 30" x 6"	12" x 16" x 28"
BALE WEIGHT	10 - 12 Kgs Approx	13 - 15 Kgs Approx	16 - 20 Kgs Approx	25 - 40 Kgs Approx
ELECTRIC MOTOR	25 H.P 1440 R.P.M.	30 H.P 1440 R.P.M.	40 H.P 1440 R.P.M.	25 H.P 1440 R.P.M.
PRODUCTION / HOUR	90 - 110 Approx**	80-110 Approx**	80-110 Approx**	80-110 Approx**
OPERATION	Manual/Automatic	Manual/Automatic	Manual/Automatic	Manual/Automatic
MACHINE WEIGHT	6.5 TONS Approx	8 TONS Approx	8.5 TONS Approx	4 - 5 TONS Approx

Note - ** Production capacity with Automation and Depending on density of in-feed material



Briquetting Machine



BRIQUETTE SIZE	3" DIA	4" DIA
LENGTH OF BRIQUETTE	1.5" - 3" DIA	2" - 4" DIA
WEIGHT OF BRIQUETTE	1 Kg - 1.2 Kg (IN IRON)	2.5 Kg - 3 Kg (IN IRON)
ELECTRIC MOTOR	30 H.P.	50 H.P.
PRODUCTION / HOUR	200 - 300 Nos / HR	200 - 300 Nos / HR
OPERATION	MANUAL / AUTOMATIC	MANUAL / AUTOMATIC
MACHINE WEIGHT	9 - 10 TONS APPROX	10 - 11 TONS APPROX

Note - ** Production capacity with Automation and Depending on density of in-feed material





ADVANCE RECYCLING SOLUTIONS LLP

NEW MEGA SERIES

Especially For Processing Mixed Scrap without Sorting



Mega Series

Alligator Shear Machine



MODEL	(ARS-1000)
CUTTING FORCE	2000 Kn (LEAVERAGED)
LENGTH OF BLADE BLOCK	900 MM + 150 MM
BLADE OPENING	85 - 300 MM
PRE COMPRESSION	JAW 150 MM SERRATED
CUTTING SIZE	Φ 85 MM
NUMBER OF STROKE	13 - 14 / MINUTE
ELECTRIC MOTOR	40 H.P.
WEIGHT OF MACHINE	7.5 - 8 TON (APPROX)

Note - ** Production capacity with Automation
and Depending on density of in-feed material



Mega Series

Horizontal Scrap Shear



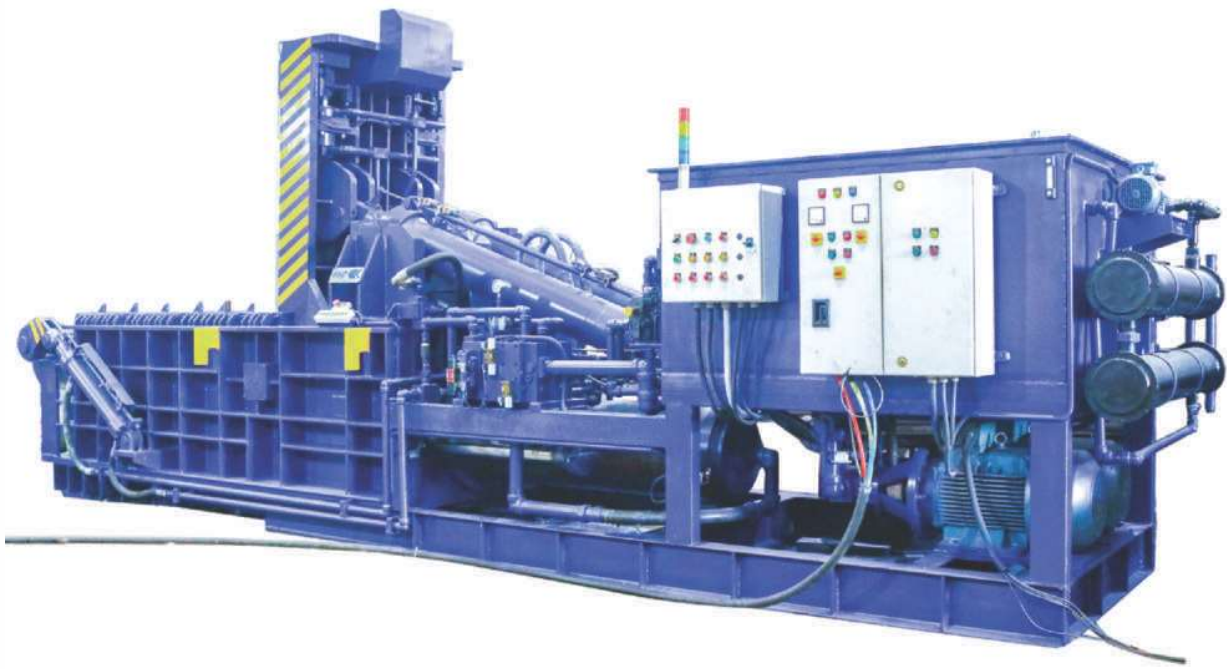
MODEL	(ARS-HSS400)	(ARS-HSS600)
SHEAR CYLINDER NOMINAL FORCE	200 TON X 2	300 TON X 2
PRESS CYLINDER NOMINAL FORCE	120 TON	190 TON
CHAMBER SIZE	2200 (L) X 1400 (W) X 2250 (H) (MM)	2200 (L) X 1400 (W) X 2250 (H) (MM)
FEEDING SIZE	3400 (L) X 2500 (W) X 3200 (H) (MM)	3750 (L) X 2500 (W) X 3200 (H) (MM)
ELECTRIC MOTOR	75 H.P. X 2	100 H.P. X 2
COOLING SYSTEM	WATER COOLED HEAT EXCHANGER X 3	WATER COOLED HEAT EXCHANGER X 3
CONTROL	MANUAL / AUTOMATIC	MANUAL / AUTOMATIC
PRODUCTION	4-7 TONS / HOUR**	7-10 TONS / HOUR**

Note - ** Production capacity with Automation
and Depending on density of in-feed material



Mega Series

Double Compression Baler



BALE SIZE	20"x48" x VARIABLE(HxWxL)
BALE WEIGHT	300 - 350 Kg (Steel Scrap)
ELECTRIC MOTOR	2 x 50 H.P
OPERATION	Manual/Automatic
MACHINE WEIGHT	24 - 25 Tons (Approx)
BALEABLE MATERIAL	Ferrous & Non Ferrous

Note - ** Production capacity with Automation and Depending on density of in-feed material



Mega Series

Triple Compression Baler



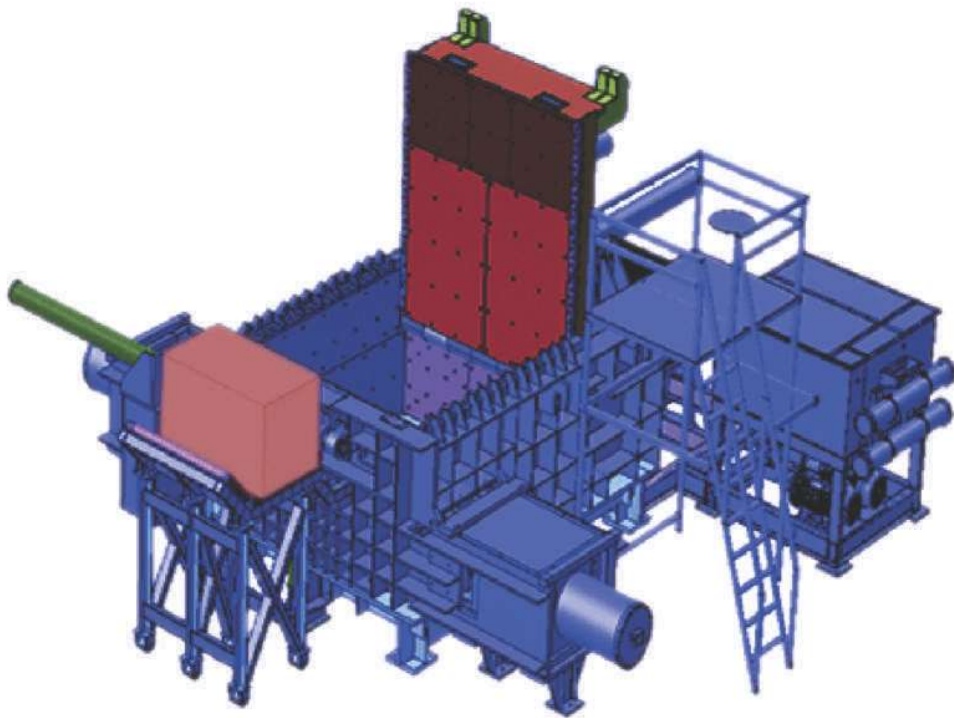
BALE SIZE	35"x35"(HXW)
BALE WEIGHT	800kg - 1200 kg
ELECTRIC MOTOR	2 x 50 H.P
OPERATION	MANUAL / AUTOMATIC
MACHINE WEIGHT	53-55 TONS (APPROX)
BALEABLE MATERIAL	FERROUS & NON FERROUS
OPTIONAL	HOPPER (ON DEMAND)

Note - ** Production capacity with Automation
and Depending on density of in-feed material



Mega Series

Four Side Compression Baler

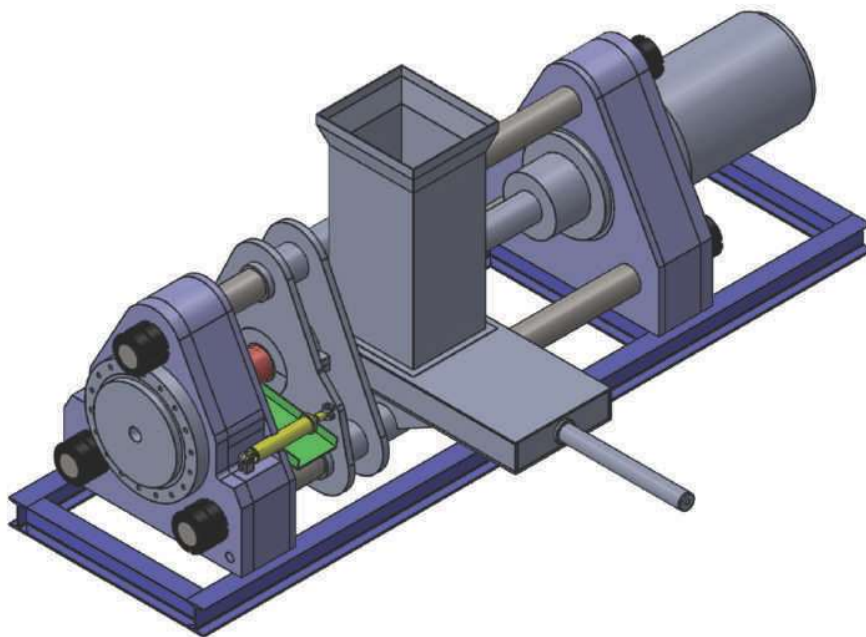


BALE SIZE	35" x 35" x 30 - 50 (HXWXL)
BALE WEIGHT	1000kg - 1600 kg
ELECTRIC MOTOR	2 x 75 H.P
OPERATION	BY CONTROL DESK WITH PLC CONTROL
MACHINE WEIGHT	85 - 95 TONS (APPROX)
BALEABLE MATERIAL	FERROUS & NON FERROUS

Note - ** Production capacity with Automation and Depending on density of in-feed material



Mega Series Briquetting Machine

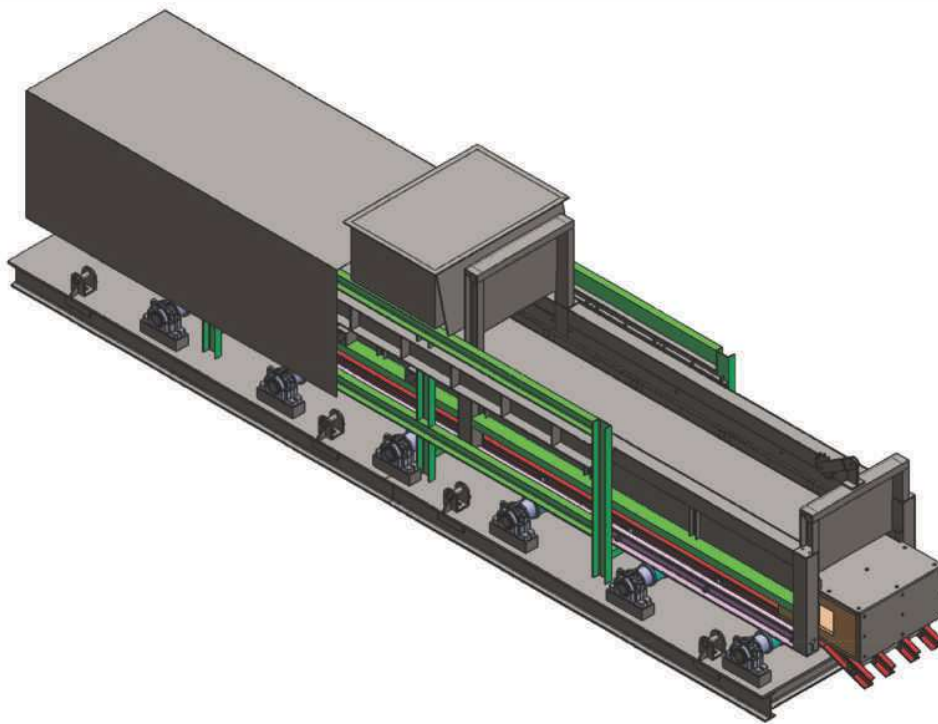


BRIQUETTE SIZE	220 MM DIA
LENGTH OF BRIQUETTE	220 MM DIA - 300 MM DIA
WEIGHT OF BRIQUETTE	30 Kg - 35 Kg (IN IRON)
ELECTRIC MOTOR	100 X 3 = 300 H.P.
PRODUCTION / HOUR	3 - 4 NOS / MIN
OPERATION	MANUAL / AUTOMATIC
MACHINE WEIGHT	50 - 55 TONS APPROX

Note - ** Production capacity with Automation and Depending on density of in-feed material



Mega Series Furnace Bale Pusher



BALE SIZE	1 M X 1 M X L (VARIABLE) MAXIMUM
BALE WEIGHT	1 TON APPROX
ELECTRIC MOTOR	15 H.P. 1440 R.P.M.
OPERATION	REMOTE RADIO CONTROLLED
FEEDER BOX MOVEMENT	4.5 METER TO THE CRUCIBLE MOUTH & BACK FOR POURING OF THE MELT
FEEDER OPEN LENGTH	15 METER



Mega Series

Stationary Cranes & Grabs



MODEL	2.5 TON @ 12 MTR	1.5 TON @ 8 MTR
MAX. WORKING RADIUS	12 MTR	8 MTR
MIN. WORKING RADIUS	2.5 MTR	2 MTR
CRANE DEAD WEIGHT	7.5 TON	4.2 TON
GRAB DEAD WEIGHT	900 KG	900 KG
GRAB VOLUME	0.5 M ³	0.5 M ³
SLEWING SPEED	2 - 3 R/MIN	2 R/MIN



Mega Series Horizontal Baler

(for Hay / PET / OCC / RDF / MSW / De-Watering)



BALE SIZE	35" x 29" x V"	44" x 42" x V"
BALE WEIGHT	400 - 500 Kgs Approx	800 - 1000 Kgs Approx
ELECTRIC MOTOR	40 H.P 1440 R.P.M.	50 H.P 1440 R.P.M.
– CLAMPING SYSTEM	7.5 H.P	7.5 H.P
– TYING SYSTEM	0.5 H.P.	0.5 H.P.
OPERATION	Manual / Automatic	Fully Automatic with Auto - Tie
PRODUCTION	4 - 6 Tons / Hours	8 - 12 Tons / Hours
MACHINE WEIGHT	15 - 16 Tons Approx	17- 18 Tons Approx

Note - ** Production capacity with Automation and Depending on density of in-feed material





ADVANCE RECYCLING SOLUTIONS LLP

Range of Machines

- Horizontal Balers
- Continuous Balers
- Vertical Balers
- Scrap Shredders
- Cranes & Grabs
- Bale Pusher
- Scrap Shears
- Briquetting Machines



Our Head Office:

- 📍 **Unit 1** : Kh.No. 71/6/2 & 72/10/1/2,
Swarn Park, Mundka Industrial Area,
New Delhi 110041, India.
- 📍 **Unit 2** : Plot No. 273, Kh. No. 52/7
Mundka Industrial Area,
New Delhi 110041, India.
- ☎ +91-9873777747, 9958596020
- 🌐 www.advancerecyclingsolutions.com
www.arsmachines.com
- ✉ info@advancerecyclingsolutions.com

Overseas Sales & Service Centre:

- 📍 **Office Add** : Suite No. 2115, ENI Churchil
Business Bay, Dubai (UAE).
- 📍 **Workshop Add** : Industrial Area 10,
Street No. 74, Behind Industrial Area Police Station,
Sharjah, UAE
- 🌐 www.advancerecyclingsolutions.com
www.arsmachines.com
- ✉ internationalcentre@advancerecyclingsolutions.com
- ☎ +91-9873777747, 9958596020