

# Power Harrows Range

## DELFINO DL

30 - 100 HP

Mod. 1300  
1500  
1800  
2000

Page 40

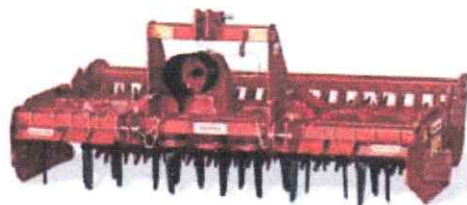


## DELFINO SUPER

65 - 130 HP

Mod. 2300  
2500  
3000

Page 42



## DAINO DS

80 - 130 HP

Mod. 2500  
3000

Page 44



## DRAGO DC

80 - 150 HP

Mod. 2500  
3000

Page 46



## DOMINATOR DM

120 - 180 HP

Mod. 3000  
3500  
4000

Page 48



## DOMINATOR DM RAPIDO PLUS

120 - 200 HP

Mod. 3000  
3500  
4000

Page 50

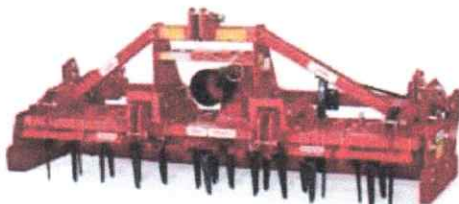


## ORSO RAPIDO PLUS (COMBI)

120 - 300 HP

Mod. 3000  
3500  
4000  
4500

Page 52



## CORVO

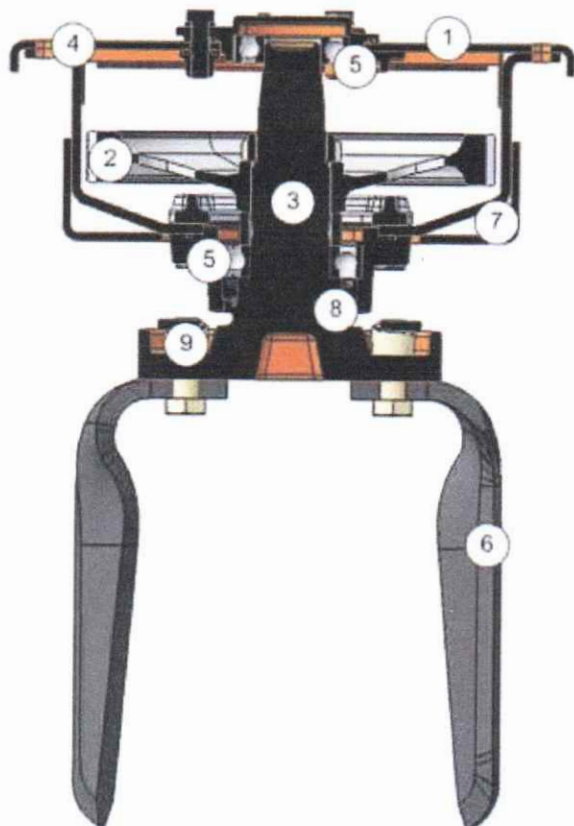
90 - 140 HP

Mod. 3000  
3600  
4000

Page 54

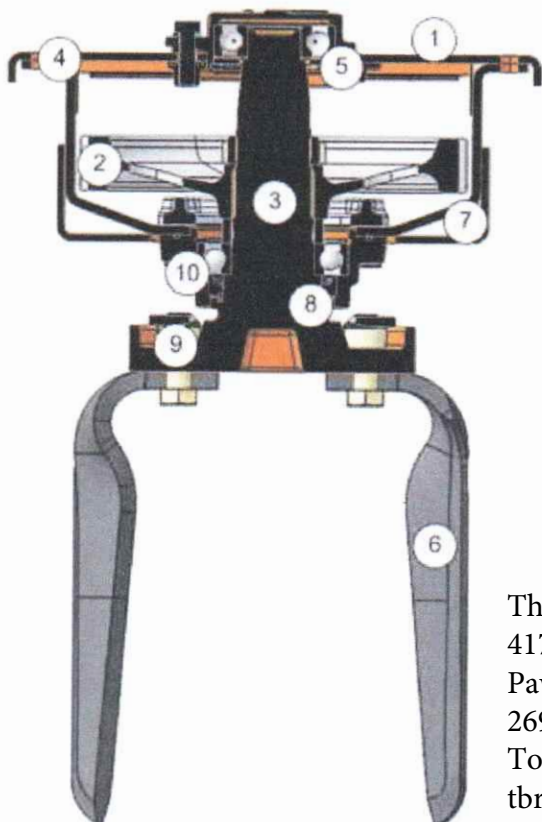
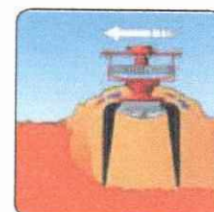


# TECHNICAL SPECIFICATIONS



**DELFINO  
DELFINO SUPER  
DAINO  
DRAGO  
CORVO**

- 1-Cover sheet in high resistance steel, 4mm thickness
- 2-Gears in oil bath
- 3-Forged blade holder shaft, Ø50mm
- 4-OR sealings
- 5-Self-lubricating ball type bearing
- 6-Blade 28cm long, thickness 12mm, plate 90mm
- 7-Double section gear trough 6+5mm in high resistance steel
- 8-"Combi" sealing: mechanical labyrinth and polyurethane protection
- 9-Forged blade fastening bolt



**DOMINATOR  
FALCO  
GABBIANO  
AQUILA**

- 1-Cover sheet in high resistance steel, 4mm thickness
- 2-Tempered and hardened gears in oil bath
- 3-Forged blade holder shaft, Ø55mm
- 4-OR sealings
- 5-Self-lubricating ball type bearing with spheres fall protection
- 6-Blade 30cm long, thickness 12mm, plate 100mm
- 7-Double section gear trough 6+5mm in high resistance steel
- 8-"Combi" sealing: mechanical labyrinth and polyurethane protection
- 9-Forged blade fastening bolt
- 10-Ball type bearing with increased load capacity



Thomas Bros. Equipment Sales, Inc.  
41764 Red Arrow Hwy.  
Paw Paw, MI 49079  
269-657-3735 Fax: 269-657-2110  
Toll Free 866-214-6135  
tbrofab@gmail.com  
www.thomasbrosequipmentsales.com

# Power Harrows

Power Harrows		DELFINO	DELFINO SUPER	DAINO DS	DRAGO DC	DOMINATOR DM	DOMINATOR DM RAPIDO PLUS	ORSO RAPIDO PLUS
PLUS version availability		opt PLUS	opt PLUS	opt PLUS	opt PLUS	opt PLUS	PLUS	PLUS
Tractor Power	HP	30 - 100	65 - 130	80 - 130	80 - 150	120 - 180	120 - 200	120 - 300
Minimum Working Width	cm	130	230	250	250	300	300	300
Maximum Working Width	cm	200	300	300	300	400	400	450
Rotor Distance	cm	25	25	25	25	25	25	25
Rotors	nr.	5 + 8	9 + 12	10 + 12	10 + 12	12 + 16	12 + 16	12 + 18
Working Width and Rotors Nr.	90	-	-	-	-	-	-	-
	110	-	-	-	-	-	-	-
	125	-	-	-	-	-	-	-
	130	5	-	-	-	-	-	-
	145	-	-	-	-	-	-	-
	150	6	-	-	-	-	-	-
	160	-	-	-	-	-	-	-
	180	7	-	-	-	-	-	-
	200	8	-	-	-	-	-	-
	230	-	9	-	-	-	-	-
	250	-	10	10	10	-	-	-
	300	-	12	12	12	12	12	12
	360	-	-	-	-	-	14	14
	400	-	-	-	-	-	16	16
	450	-	-	-	-	-	-	18
	460	-	-	-	-	-	-	-
500	-	-	-	-	-	-	-	
600	-	-	-	-	-	-	-	
700	-	-	-	-	-	-	-	
800	-	-	-	-	-	-	-	
Shaft diameter	mm	50	50	50	50	55	55	55
Upper bearing	Tipo	6207	6207	6207	6207	6307	6307	22207
Lower bearing	Tipo	6210	6210	6210	6210	6211 reinf.	6211 reinf.	22211 SKF
540 rpm rotor speed	giri/min	290	352	355	193-353	193-353	193-353	-
1000 rpm rotor speed	giri/min	-	-	-	357	357	357	350
Rear PTO	STD/OPT	-	-	-	STD	STD	STD	STD
Upper Steel Sheet	mm	4	4	4	4	4	4	5
Lower Steel Sheet	mm	6	6	6+5	6+5	6+5	6+5	6+5
Rear Levelling bar	Tipo	Mech. adjuster on machine body (opt.)	Mech. adjuster on machine body (opt.)	Mech. adjuster on roller (opt.)	Mech. adjuster on the roller	Mech. adjuster on the roller	Mech. adjuster on the roller	Mech. adjuster on the roller
Roller adjustment	STD	Pins	Pins	Pins	Pins	Pins	Pins	Pins
	OPT	Mech. / Hydr.	Mech. / Hydr.	Mech. / Hydr.	Mech. / Hydr.	Mech. / Hydr.	Mech. / Hydr.	Hydraulic
PTO shaft	STD	Shear-bolt	Shear-bolt	Shear-bolt	Slip clutch	Slip clutch	Slip clutch	Slip clutch
	OPT	Slip clutch	Slip clutch	Slip clutch	Cams	Cams	Cams	Cams
Seed drill hitch	STD/OPT	-	-	OPT	OPT	OPT	OPT	OPT
Blades Thickness (std)	mm	12	12	12	12	12	15	15
Blades Thickness (opt)	mm	14	14	14	14	15	-	-
Blade length	mm	280	280	280	280	300	320	320

The technical data and illustrations are indicative. MASCHIO GASPARDO Group reserves the right to modify and update the technical specifications at any time and without prior notice.  
The machines depicted may feature options and accessories not included in the standard configuration.