



明州华人商业联合总会

Chinese American Chamber of Commerce MN

Contact Poh Lin Khoo with questions
plk@khooconsulting.com

Seeking Sponsors

Virtual AAPI Business Summit
Nov. 13 and 14

To: Company Leaders and Community Supporters

From: The Minnesota Chinese and Hmong Chambers of Commerce

We are pleased to invite you to showcase your organization as a sponsor of the Asian American and Pacific Islander (AAPI) Business Summit on Nov. 13 and Nov. 14th, 2022.

This two day virtual event is designed for AAPI entrepreneurs and business owners, and features speakers, exhibitors, and business training workshops. Sponsors will have the opportunity to interact with the participants in real time, and promote their products and services in a variety of new and innovative ways.

The COVID-19 pandemic, civil unrest, and violence against Asian Americans have greatly impacted many AAPI small businesses. This event will bring businesses, nonprofit organizations, state and government agencies, and the community together in solidarity to support one another, and also focus on economic development and growth.

On behalf of the AAPI small business community, we thank you for your sponsorship consideration, and your show of support for our AAPI small businesses with your presence.

Here are the sponsorship packages:

Platinum: \$10,000

- Prominent virtual booth space in summit hall with choice of booth templates
- Engagement opportunities include: chat rooms, external web links – link to company's website and social media channels, videos and documents
- Access to host live video sessions from your booth with two video sessions maximum, subject to AAPI scheduling approval and inclusion in the agenda

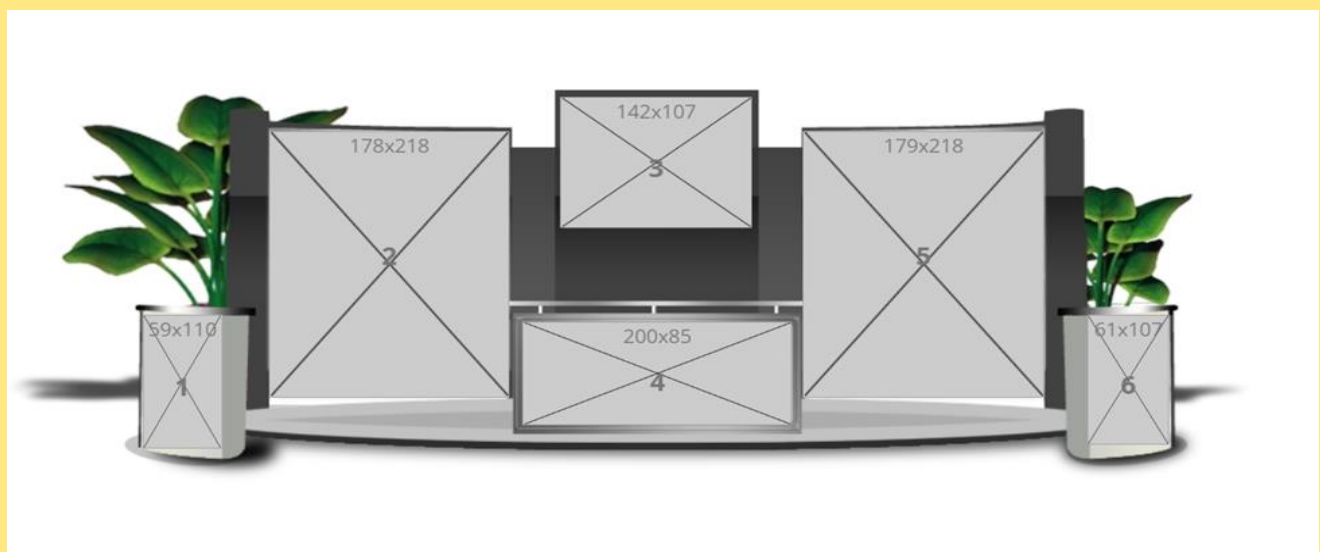


明州华人商业联合总会

Chinese American Chamber of Commerce MN

- Prominent sponsorship recognition throughout the virtual summit platform
- Recognition in attendee welcome video seen by all attendees regardless of login time
- Recognition as a sponsor in online and social media marketing
- Sponsorship featured on the chambers' website and electronic newsletter (up to 250 words) sent to more than 5,000 AAPI small business and community members
- An unlimited number of electronic documents shared with attendees (up to 90 days exposure)
- Unlimited number of booth representatives to engage with the attendees (access to the electronic platform to engage with the participants and other sponsors)
- Up to six customizable screens for attendee viewing and participation. Choose one display style from the five featured below.

Platinum Display A

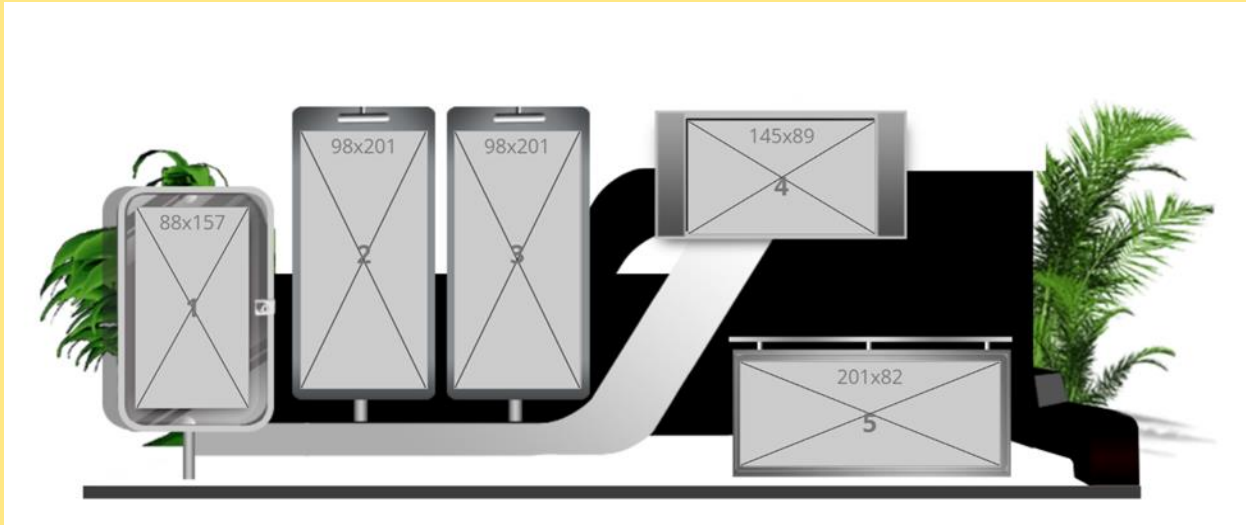




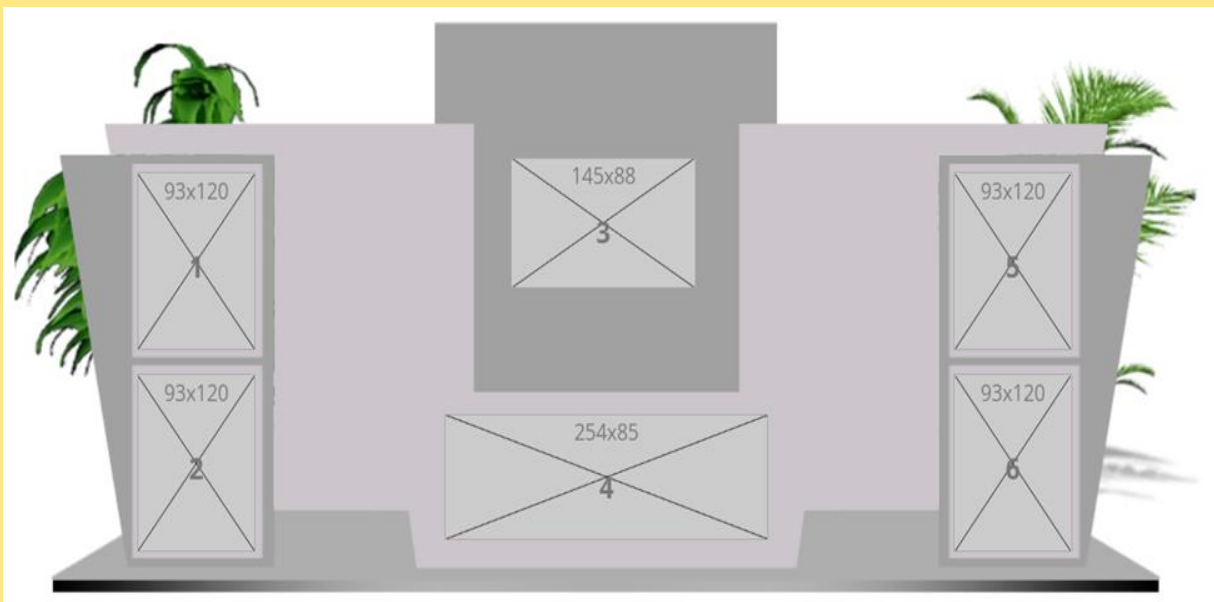
明州華人商業聯合總會

Chinese American Chamber of Commerce MN

Platinum Display B



Platinum Display C

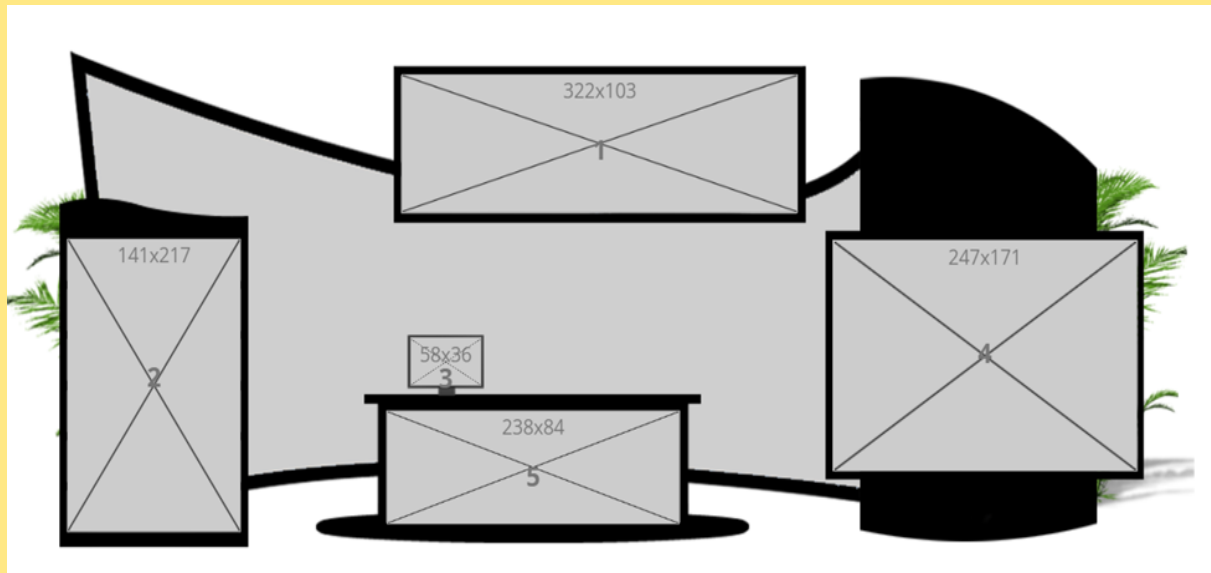




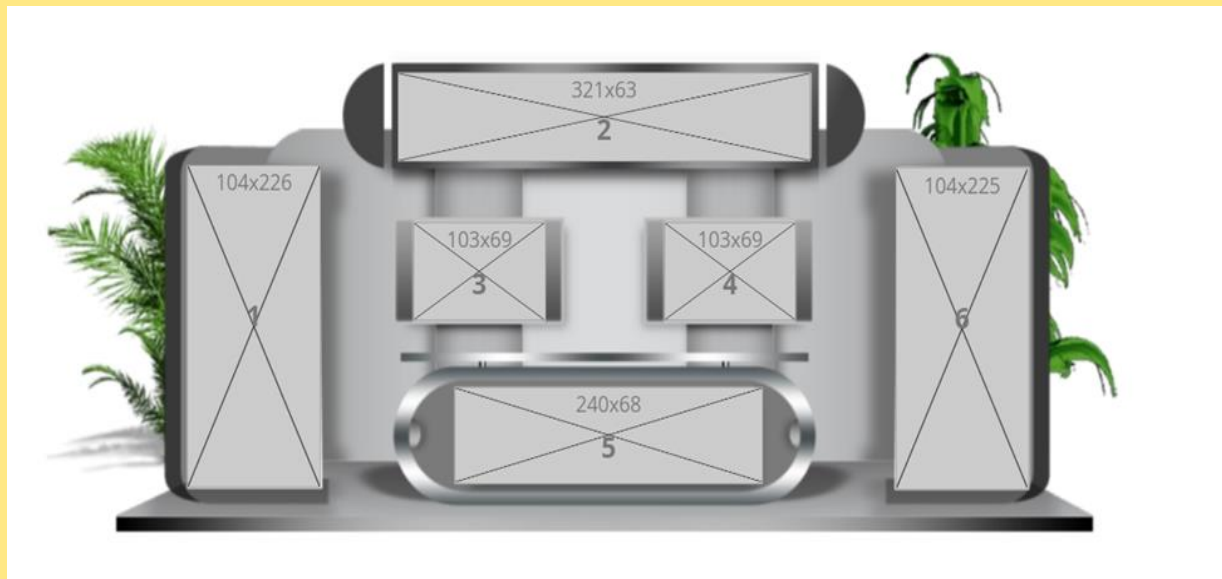
明州華人商業聯合總會

Chinese American Chamber of Commerce MN

Platinum Display D



Platinum Display E





明州華人商業聯合總會

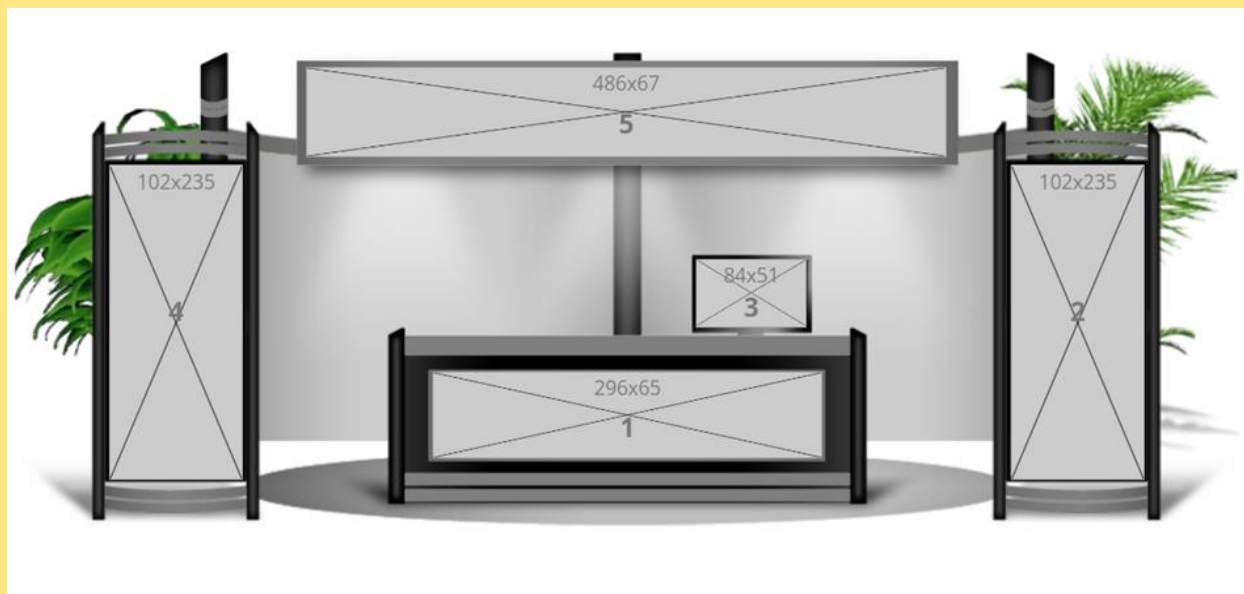
Chinese American Chamber of Commerce MN

Gold: \$7500

- Engagement opportunities include: chat rooms, external web links – link to company's website and social media channels, videos and documents)
- Access to host live video session, one video session maximum, subject to hosts' scheduling approval and inclusion in agenda
- Recognition in attendee welcome video seen by all attendees regardless of login time
- Sponsorship recognition in online and social media marketing
- Sponsorship feature in the hosts' electronic newsletter (up to 150 words) sent to more than 6,000 people and organizations
- Two registrations for company representatives at the summit
- Availability to include up to two electronic documents in resources offered to attendees

Prominent virtual booth space in summit hall including a maximum of five customizable screens for attendee viewing and participation. Select one from four options below.

Gold Display A





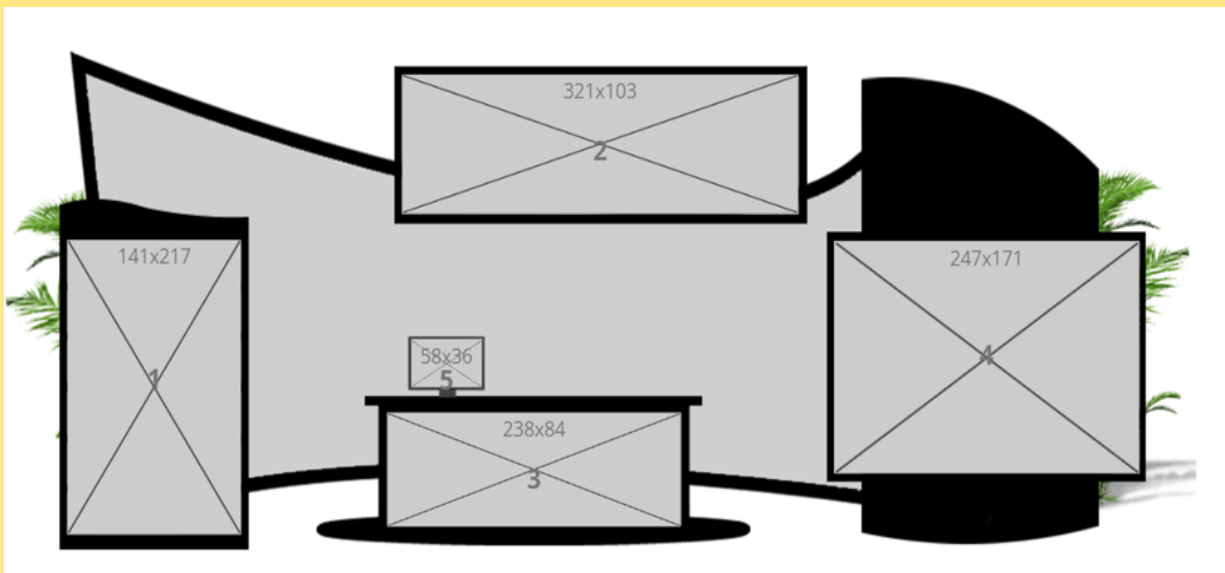
明州華人商業聯合總會

Chinese American Chamber of Commerce MN

Gold Display B



Gold Display C

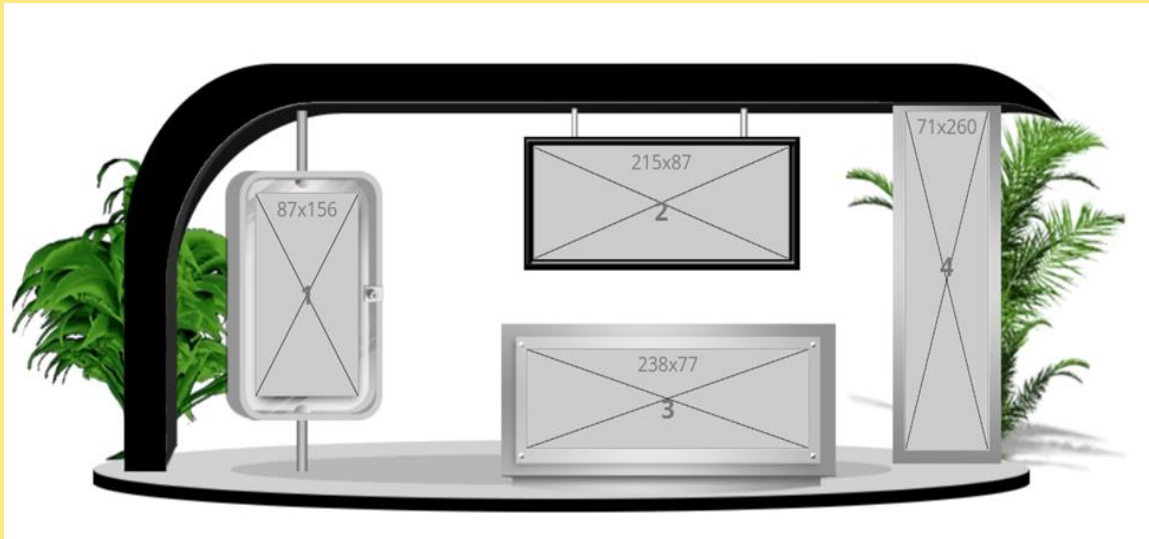




明州華人商業聯合總會

Chinese American Chamber of Commerce MN

Gold Display D



Silver: \$5,000

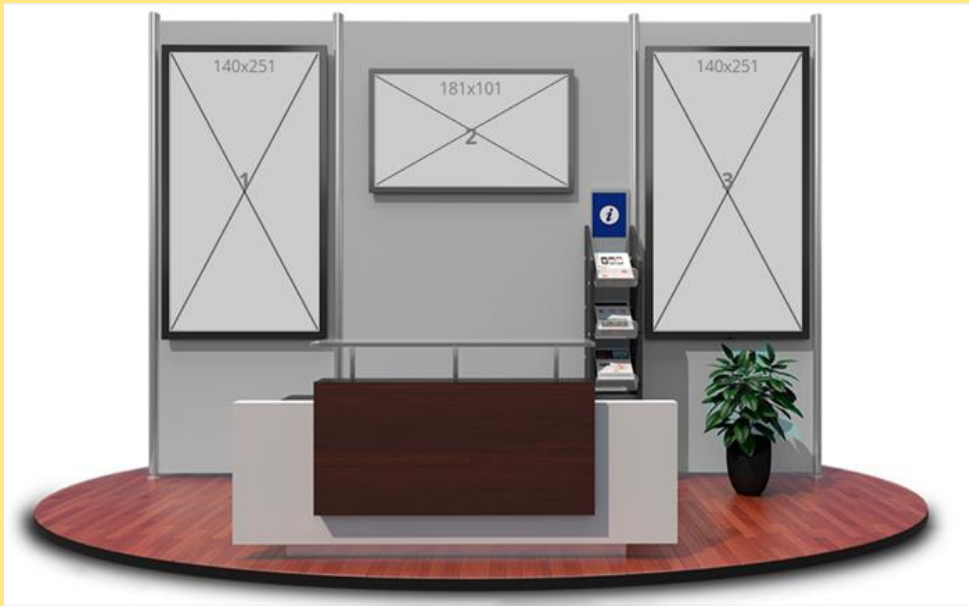
- Engagement opportunities include: chat rooms, external web links – link to company's website and social media channels, videos and documents
- Recognition in attendee welcome video seen by all attendees regardless of login time
- Sponsorship recognition in online and social media marketing
- Sponsorship feature in the hosts' electronic newsletter (up to 100 words) sent to over 6,000 people and companies
- Two registrations for company representatives at the summit
- Include one electronic document in resources offered to attendees
- Virtual booth space in summit hall including a maximum of four customizable screens for attendee viewing and participation. Choose one display booth from the three options below.



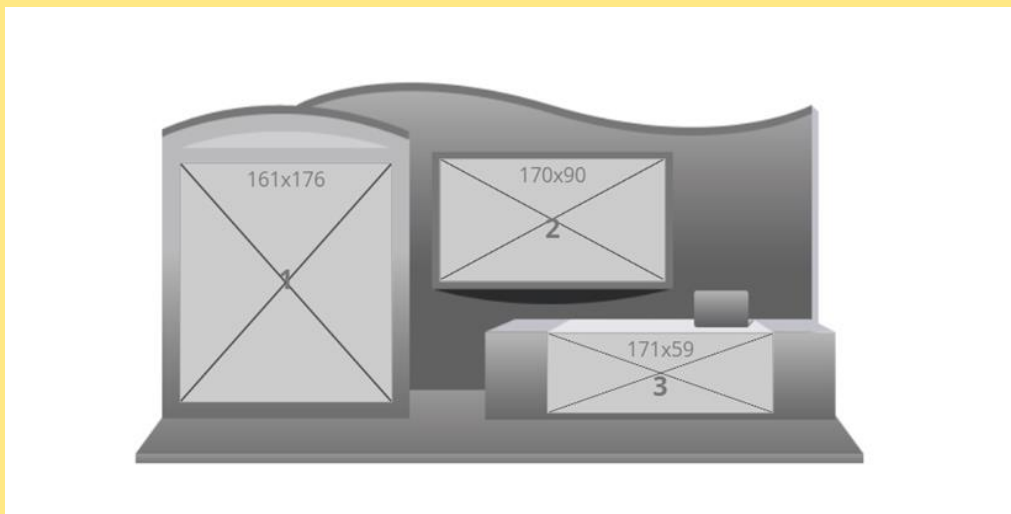
明州華人商業聯合總會

Chinese American Chamber of Commerce MN

Silver Display A



Silver Display B

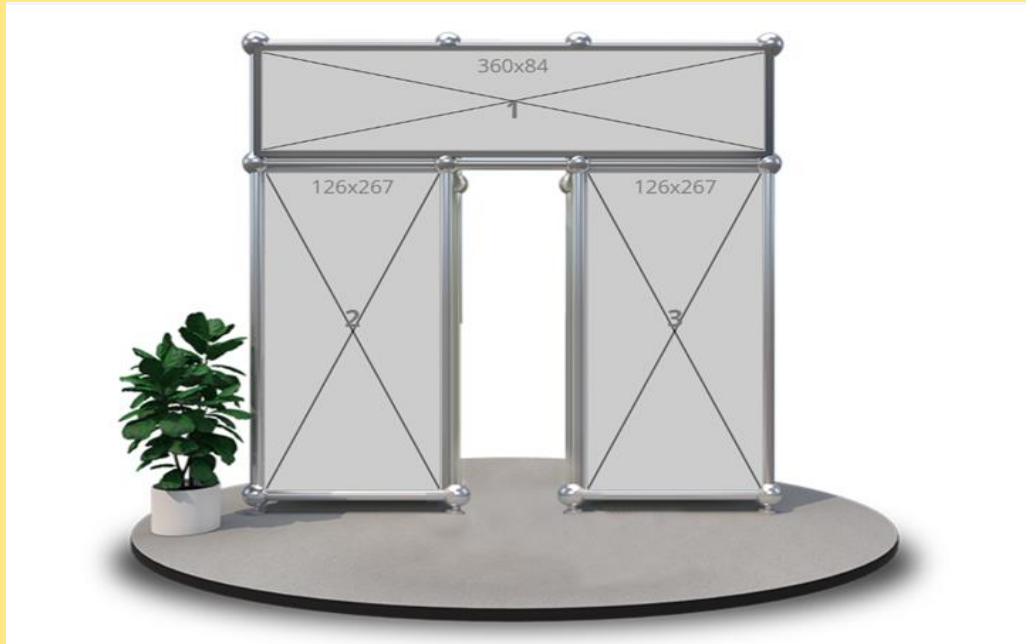




明州華人商業聯合總會

Chinese American Chamber of Commerce MN

Silver Display C



Bronze: \$3000

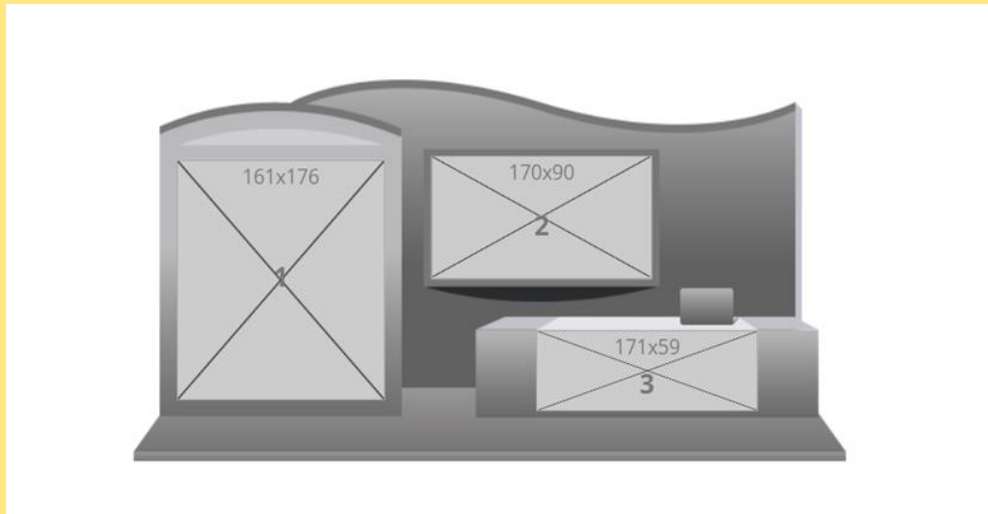
- Engagement opportunities include: chat rooms, external web links – link to company's website and social media channels, videos and documents
- One booth layout
- Mention in the hosts' electronic newsletters and websites
- Two registrations for company representatives at the summit
- Sponsorship recognition in online and social media marketing
- Three banners



明州華人商業聯合總會

Chinese American Chamber of Commerce MN

Bronze Display



Special One: \$1000

- Engagement opportunities include: chat rooms, external web links – link to company's website and social media channels, videos and documents
- Mention in the hosts' electronic newsletters and websites
- One booth layout
- Two registrations for company representatives at the summit

Special Two: \$500

- Engagement opportunities include: chat rooms, external web links – link to company's website and social media channels, videos and documents
- Mention in the hosts' electronic newsletters and websites
- Two registrations for company representatives at the summit

In-Kind Donations

For small business owners: Gift certificates and business-related items